

Product Name: **Gen V eWastegate (Electronic Config)**  
 Product Description: Gen V eWastegate  
 Product Number: TS-055X-15XX  
 Document Version: V1.00 Rev A



**IMPORTANT NOTES ON YOUR EXTERNAL EWASTEGATE**

- Turbosmart accepts no responsibility whatsoever for incorrect installation of this product which is potentially hazardous and can cause serious engine damage or personal injury.
- The Gen V external eWastegate is designed for use with a turbocharger that does not have an internal wastegate.
- Consult your local specialist before setting your desired boost pressure, setting boost beyond your engines capability may result in engine damage.
- Use only high-quality fittings ensuring maximum sealing reliability. Optional Turbosmart fitting kit available.

**RECOMMENDATIONS**

- **Always disconnect motor wires before removing the top cap of the actuator**
- **Allow for adequate cool airflow around electronic actuator**
- **DO NOT Mount the wastegate so that the electronic actuator is less than 100mm from a heat source**
- **DO NOT wrap the body of the wastegate with exhaust wrap**
- **Fitting your Gen V wastegate may require fabrication or modification to your exhaust manifold. Turbosmart recommends that your wastegate is fitted by an appropriately qualified technician.**
- **Turbosmart recommends that the engines Air/Fuel ratio is checked while setting the desired boost pressure, as any increase in boost pressure can cause the engine to run "LEAN", resulting in possible engine damage.**
- Turbosmart recommends that boost pressure is set using a dynamometer and not on public roads.
- Turbosmart recommends that a boost gauge be permanently fitted to the vehicle.

**KIT CONTENTS**

Please check that the following items have been provided in your Gen V eWastegate kit.

Part	Description	Use
1	Turbosmart Gen V eWastegate	Main unit
2	Valve Seat	Valve seat
3	Inlet V-Band clamp	Inlet V-band clamp
4	Inlet Weld flange	Inlet V-band weld flange
5	Outlet V-Band clamp	Outlet V-band clamp
6	Outlet weld flange	Outlet V-band weld flange
7	Collar tool	Adjusting actuator location
8	Turbosmart Sticker	Turbosmart sticker

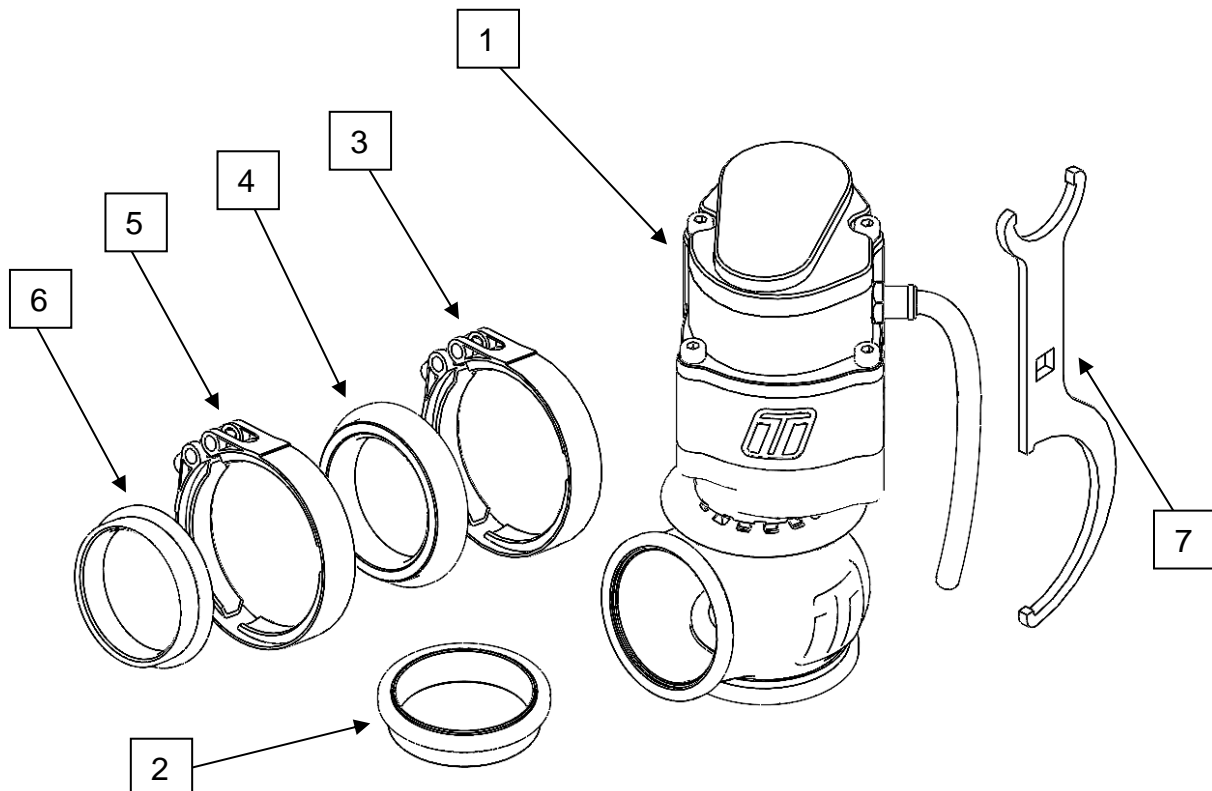


Figure 1 - Kit Contents

# CONTENTS

<b>KIT CONTENTS</b> .....	1
<b>TOOLS REQUIRED</b> .....	3
<b>SUGGESTED LUBRICANTS AND SEALANTS</b> .....	3
<b>PART NUMBERS</b> .....	3
<b>QUICK START GUIDE</b> .....	3
<b>HOW TO USE</b> .....	3
<b>MAINTENANCE</b> .....	3
<b>TEMPERATURE</b> .....	3
<b>BASIC TUNING PARAMETERS</b> .....	4
<b>WHAT'S NEW</b> .....	4
<b>GEN V EWASTEGATE OVERVIEW</b> .....	5
<b>FITTING YOUR GEN V WASTEGATE</b> .....	6
<b>Mounting your New Turbosmart Gen V eWastegate</b> .....	6
<b>Fitting the Gen V eWastegate</b> .....	6
<b>Connecting Your Wastegate</b> .....	7
<b>Calibration</b> .....	7
<b>Tuning</b> .....	8
<b>Sensor Linearisation</b> .....	9
<b>ADVANCED FEATURES ON THE GEN V WASTEGATE</b> .....	9
<b>Re-Orientation of the Actuator</b> .....	9
<b>Water Cooling</b> .....	10
<b>TROUBLESHOOTING</b> .....	11

## TOOLS REQUIRED

- 1/4" drive socket 5mm
- 1/4" drive extension
- 1/4" drive ratchet
- 3/8" square drive deep socket
- Square drive ratchet wrench
- Torque wrench (3/8" drive)
- Non-marking spanners to tighten fittings
- Supplied collar tool

## SUGGESTED LUBRICANTS AND SEALANTS

- Loctite 243 Thread locker
- Loctite 567 Thread Sealant
- Resbond 907TS Red
- Penetrating oil
- Inox MX8 spray grease

## PART NUMBERS

- TS-0553-1502 – Gen-V WG45 Hyper-Gate45 Electronic Black
- TS-0555-1502 – Gen-V WG60 Powergate 60 Electronic Black

---

## QUICK START GUIDE

### HOW TO USE

The Turbosmart eWastegate is a brand-new way to drive aftermarket wastegate valves, it involves using an electric motor to drive the position of the valve, this allows far greater control over the valve during its actuation on the car, this paired with a aftermarket ECU controlling it, allows for plenty of new and safer ways to control boost on your car.

The Body will need to be fitted to the vehicle. **Please see the exploded drawing (figure 10).** This involves the two V Bands clamps, the Inlet (fitted on the exhaust manifold), and the outlet which is where the regulated exhaust gases are bypassed. A Valve seat is fitted inside the inlet V Band allowing the valve to seal upon closing. It is important to have the valve manually set to about the middle of its stroke as well as the valve seat installed. This will allow for an easier installation.

Please see below for a more detailed and helpful way of installing the Turbosmart Gen V eWastegate.

### MAINTENANCE

Turbosmart's Gen V eWastegate will require periodic reapplication of spray grease such as Inox MX8 spray grease, this is important that the manual override is used to move the valve up and down allowing the grease to be applied throughout the entire valve gearbox. Turbosmart recommends that this is done regularly at least half yearly or in demanding temperature environments.

It is also important to check V Band tightness after the wastegate has run through a couple of heat cycles. To ensure that the wastegate is seated and sealing correctly.

### TEMPERATURE

The Turbosmart Gen V eWastegate has a maximum thermal stress of 1250°C for 24hr if thermally cooled through the water cooling ports, it is important that the actuator internal housing doesn't go above a temperature of 150°C as this may cause damage to the internal electronics. Turbosmart recommends that the eWastegate is water cooled and paired with good airflow over the body to help regulate temperature. Turbosmart also recommends data logging the temperature that is seen inside the actuator using the temperature sensor included onboard.

It is recommended that water cooling is in line with the turbo this will increase the longevity of the eWastegate and allow it to operate seamlessly. This does depend on the certain application and the rate and period at which the eWastegate is exposed to the high temperatures.

## BASIC TUNING PARAMETERS

It is important that the basic tuning parameters are discussed with a trained professional, please consult your ECU manufacture. There are a few basic parameters that are worth noting.

**Motor polarity is important,** Due to the nature of PID controllers (Proportional-integral-derivative controller) the eWastegate will be targeting a set position, this will move further away if the motor polarity is wrong as it's trying to reach it's setpoint.

**Current limitations,** it is important that the Current that is driven through the motor is limited to no more than 20amps for more than 1 second and 5 amps for more than 5 seconds. It is important that the current values such as the dead band are correctly set in the ECU to allow for the motor to only be active if needed.

**Sensor Diagnostic limits** should be monitored for values that are lower than 0.1V and higher and 2.15V with respect to the Temperature sensor and 0.1V-4.9V with the position sensor. It is also recommended that safety tuning strategies are in place to lower temperatures if the eWastegate internally reaches a temperature of 150degC (302degF).

**Valve Position limits** should be set to target 0% for valve closed and 90% for completely open, Since the design of the end stops is biased to operate better with the valve in the closed position it is recommended to avoid opening the valve to full lift

---

## WHAT'S NEW

Our new eWastegates are a direct fit upgrade to all 4th-generation Turbosmart wastegates and feature our unique collar-locking system, variable motor cap and base, strap-type V-band clamps, liquid-cooling, 1/8" NPT ports.

### Control

With the introduction of the electronic motor to drive the eWastegate, a new level of control is now available to boost control, there is a wide range of tuning strategies that can be implemented to better control boost as well as engine protection. This allows the Engine to maintain much better control with the turbo boost strategies.

### Adjustability

The 5th generation eWastegate range has been designed with maximum user-adjustability, without comprising performance. We designed this unit with almost infinite possibilities of directions in which the motor assembly can be mounted with the engine bay. So, if you need the eWastegate mounted in the opposite orientation to stop fouling with parts within the engine bay, there is an orientation that is suitable for the eWastegate to operate in. This mixed without the need of having to remove and reassemble due to changes in base wastegate spring pressure the eWastegate has next level control adjustability of the position of the wastegate valve.

### Upgrades and Servicing

Due to the modular construction, the new range is also upgradeable and completely serviceable, as all components can be removed or upgraded. Components have been tested for over one million cycles so reliability will be rock-solid.

### Flow and Thermal Performance

Our new range of wastegates out-flow all competitors thanks to our world-leading engineering and simulation abilities. Thermal performance has been improved drastically compared to our nearest rival, and all wastegates feature liquid cooling ports for further thermal performance if required

# GEN V EWASTEGATE OVERVIEW

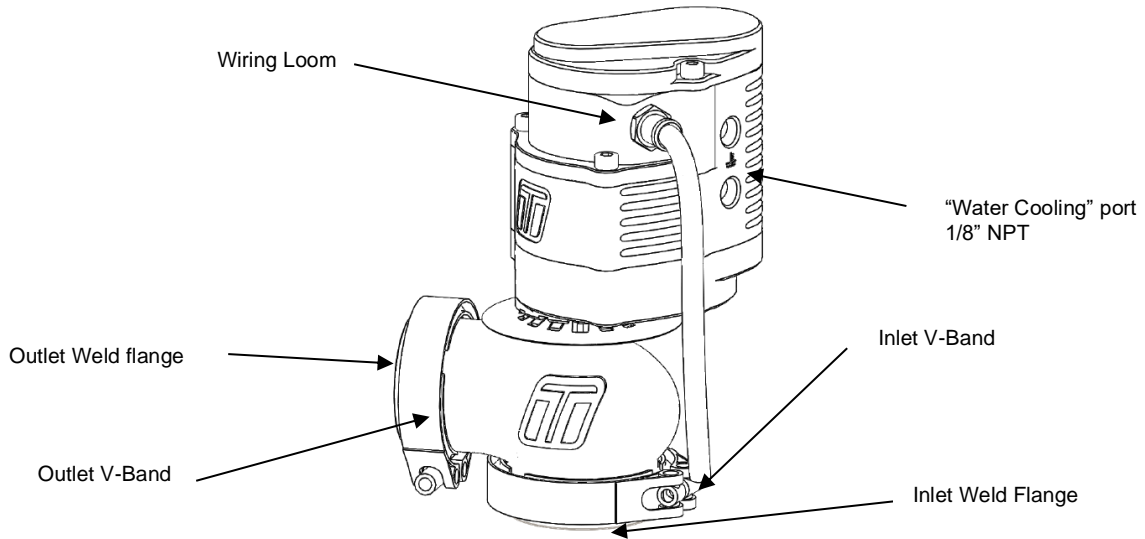


Figure 1 -Gen V eWastegate Overview

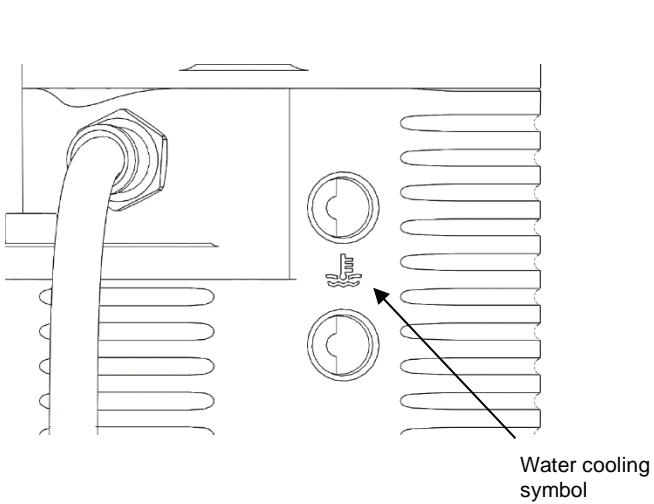


Figure 2 – Gen V eWastegate Water Cooling

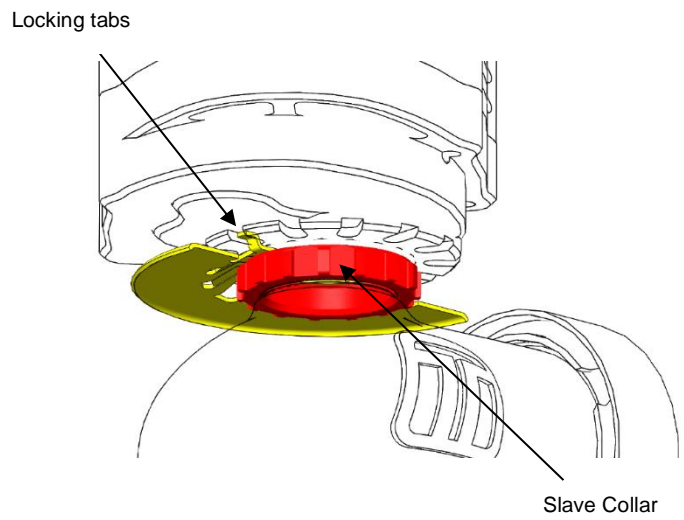


Figure 3 – Gen V eWastegate Locking Collar

# FITTING YOUR GEN V WASTEGATE

## 1 Mounting your New Turbosmart Gen V eWastegate

**Water cooling is highly recommended for sustained heat exposure**

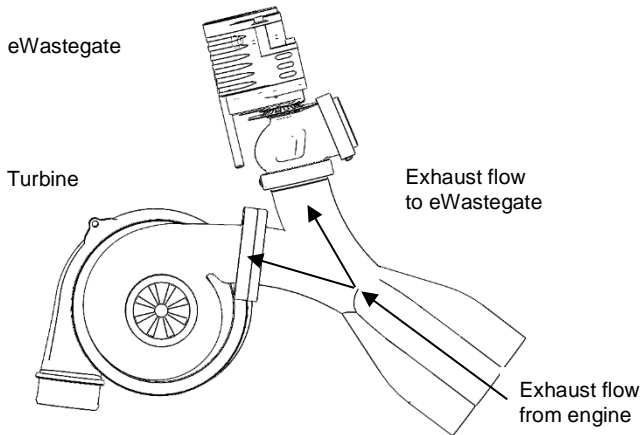
The Gen V series of Wastegate including Electronic is a direct fit replacement for the 4<sup>th</sup> gen wastegate range and no modification is necessary provided packaging space is sufficient within the engine bay.

The weld flanges should be welded to your exhaust system. The weld flanges are compatible with Stainless Steel and Mild steel welding rod material.

For best results, an attempt should be made, if space allows, to mount the Gen V eWastegate at an angle to the exhaust flow to allow for better flow than a 90-degree mounting. See the schematic diagrams below for examples of mounting positions.

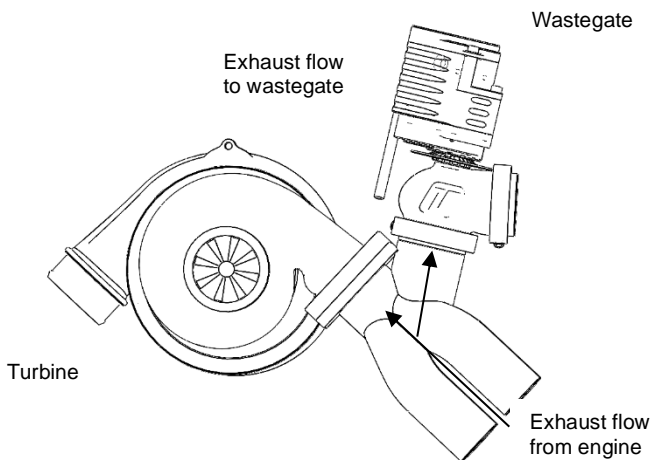
### CAUTION!

**Do not place the eWastegate near a significant heat source as this could shorten the life of the internal electronics.**



**Figure 4 - Best flow - Symmetric mounting**

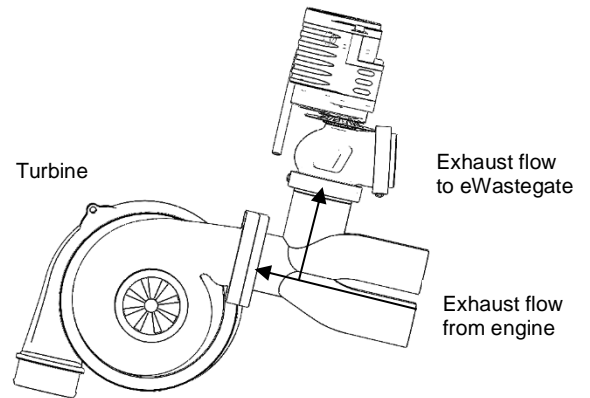
Symmetric mounting allows an excellent flow of exhaust to the wastegate.



**Figure 5 - Good Flow - Angle mounting**

Angle mounting allows a good flow of exhaust flow to the wastegate.

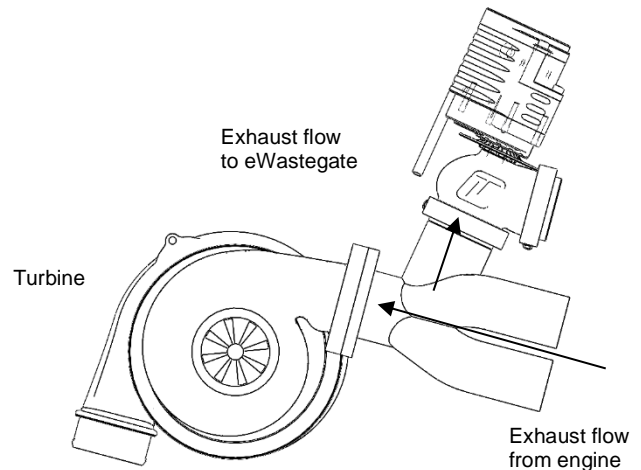
eWastegate



**Figure 6 - 90 Degree mounting**

90 Degree mounting gives poor exhaust flow to the wastegate and in some circumstances may contribute to over boosting.

eWastegate



**Figure 7 - Not Recommended - Less than 90 Degree Mounting**

An angle mounting as shown in not recommended and gives extremely poor exhaust flow to the eWastegate which can contribute to poor boost control and over boosting.

## 2

### Fitting the Gen V eWastegate

Prior to mounting the Gen V eWastegate, place v-band (figure 9) over weld on flange by unscrewing the nut on the v-band as far out as possible and then squeezing the bolt in a syringe motion to expand the v-band (squeeze the dots together below). Once the v-band is in its fully expanded position, slide the v-band over the flange to allow for the wastegate to be installed.

Do not forget to put the valve seat into the body before mounting the unit on the exhaust manifold. Using the 3/8" deep socket and a torque wrench Tighten the V-Band to 7N.m (5 ft/lbs). Ensure the wastegate is home correctly while torquing the nut to not have a false torque as this will likely contribute to exhaust leaks.

It is important that the valve sits slightly open for installation. This allows for no interference during the installation process. This can be adjusted via the manual override. (Figure 8)

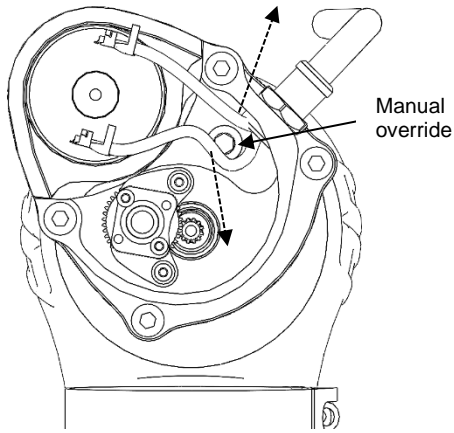


Figure 8 – Manual Override

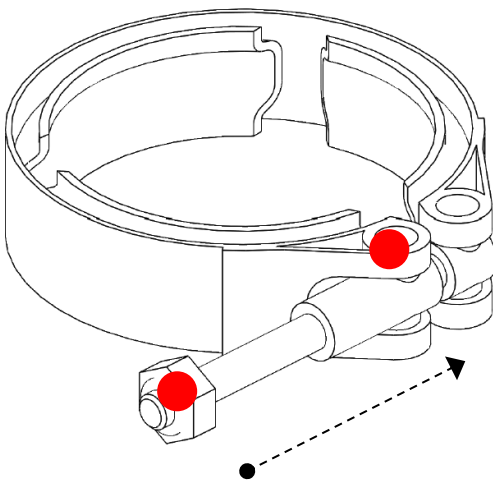


Figure 9 – V Band Clamp

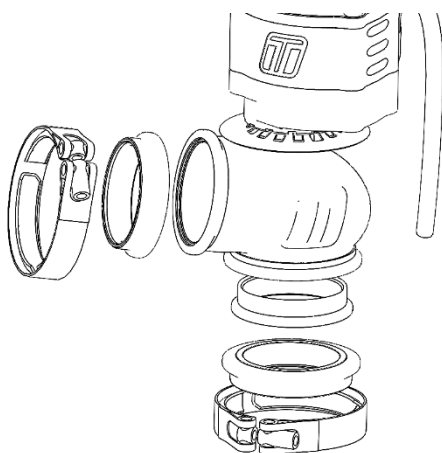


Figure 10 – Exploded drawing of assembly of eWastegate.

### 3 Connecting Your Wastegate

The Turbosmart Electronic wastegate come unterminated with 6 wires.

	Colour	Description
1 single core wire each	Large Gauge Red	Motor A tending towards 0%
	Large Gauge Black	Motor B tending towards 100%
4 Core Wire	Red	5V
	Black	Sensor ground 0V
	White	Position Signal 0-5V
	Orange	Temperature Signal 0-5V

#### Sensor Voltage Diagnostics Limits

Temp Sensor 0.1V - 2.15V

Position Sensor 0.1V -4.9V

#### CAUTION!

Turbosmart recommends calibrating the position sensor before connecting the motor wires to your motor drive.

The two large wires are directly connected to the motor of the wastegate and need to be connected to high power drives in a Full bridge configuration similar to an electronic throttle drive circuit, see your ECU supplier documents for suitable connections. Turbosmart recommends the eWastegate should be driven by an External dual H-Bridge, that is at least 20A for seamless operation.

Connect the small Red Wire to a 5V power source from your ECU as well as the Black wire to Sensor ground. Connect the white wire to a 0-5V analogue input on your ecu as well as the orange temperature sensor signal.

#### CAUTION!

Whilst the temperature sensor is not required for operation it is recommended for activating failsafe protocols.

#### CAUTION!

Ensure all connections are high quality and away from any heat source.

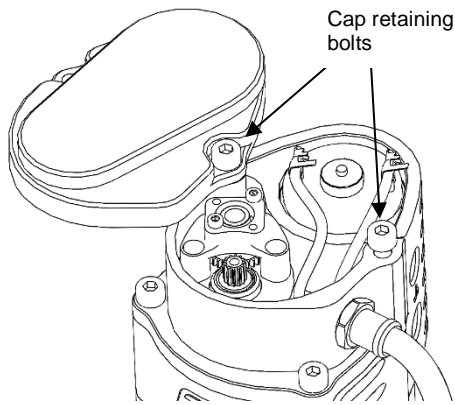
### 4 Calibration

#### CAUTION!

Disconnect the motor wires to prevent accidental spin up.

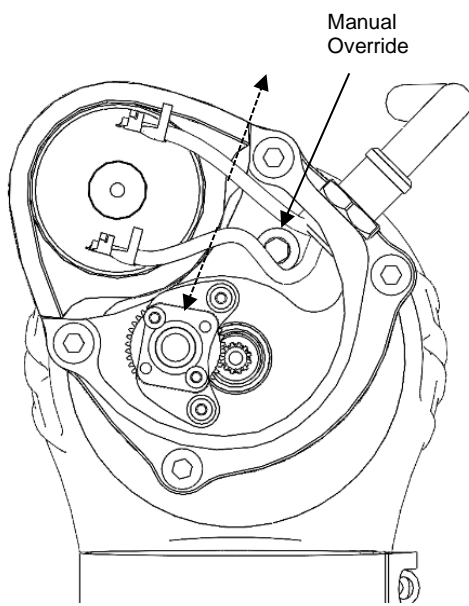
To calibrate the electronic wastegate the cap must be removed to allow access to the manual override screw. Please note that the valve seat must be in place before calibration.

Using an Allen key remove the 2 top bolts allowing the cap to be removed, and a spacer or shift the cap off to one side and reinsert at least one of the bolts. This prevent the preload in the mechanism separating the housing potentially effecting the calibration accuracy.



**Figure 11 – Top Cap removed for calibration**

Carefully move the motor wired allowing access to the manual override below (Figure 12)

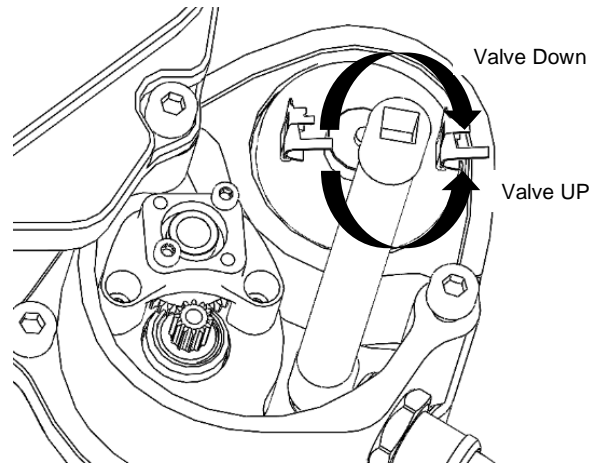


**Figure 12 – Manual Override**

Using a 1/4" drive extension with a 5mm socket, turn the manual override in a clockwise direction with your fingers until the mechanism stops rotating. In this position the valve should be home against the valve seat and will be your 0% position. **Remember to have the valve seat inserted.**

**CAUTION!**

**Do not apply excessive force to the manual override, doing so will damage the product and effect the performance.**



**Figure 13 – 1/4 Drive extension with 5mm socket manually adjusting**

Using your ECU manager software, read the voltage from the sensor and set this as your closed position.

Wind the manual adjustment in an anticlockwise direction until it stops. From this position rotate the adjustment 2 full turns in a clockwise direction. Read the sensor value and set this as 100% valve travel.

Monitor sensor signal voltage to ensure no wrap around occurs throughout the stroke of the valve that could affect operation.

**CAUTION!**

**It is critical not to set the 100% position at the end of the travel as this may lead to seizing of the wastegate and overloading the system.**

**NOTE!**

**Turbosmart recommends allowing additional clearance from the end stops until the wastegate control is tuned to minimise risk of overshoot into end stops at high speeds**

**5 Tuning**

The eWastegate will come calibrated from Turbosmart, the targeted values have been set with regards to the position sensor are 0.5V (completely open) and 4.5V as (completely closed), It's important to note that as the wastegate valve moves through it's range of motion that the valves are monitored to move from 4.5V decreasing to 0.5V, 0% open to 100% open. This should be done manually with the ECU package monitoring Voltage Values. The electronic motor should be disconnected at this point.

Voltage wrap around will cause errors with the eWastegate, this is when the Voltage increases from 4.8V up to 5V and jumps through to 0V.

Position	Target Voltage
100%	0.20-0.60V
0%	4.40-4.80V

It is important to set up the correct limits manually with eWastegate. Turbosmart recommends that the valve is only ever driven electronically to the maximum valve position of 90%.

**Driving the valve to 100% will cause increased wear on components such as the electronic motor as it tries to force the valve to completely open.**

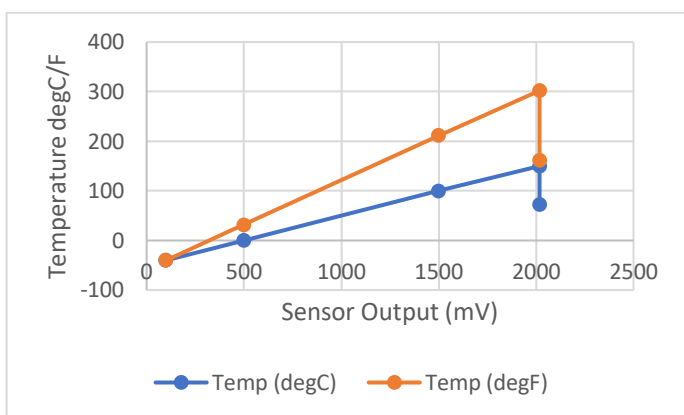


Adjust the calibration to allow plenty of overshoot to the end stops of the valve, recalibrate as above once you have good control of valve position.

**PLEASE NOTE** that temperatures over 180 degC (356degF) will create an error in the temperature sensor readings. Therefore, the internal temperature is rated to a temperature of 150degC (302degF) it is recommended to log and place sufficient alarms to monitor this.

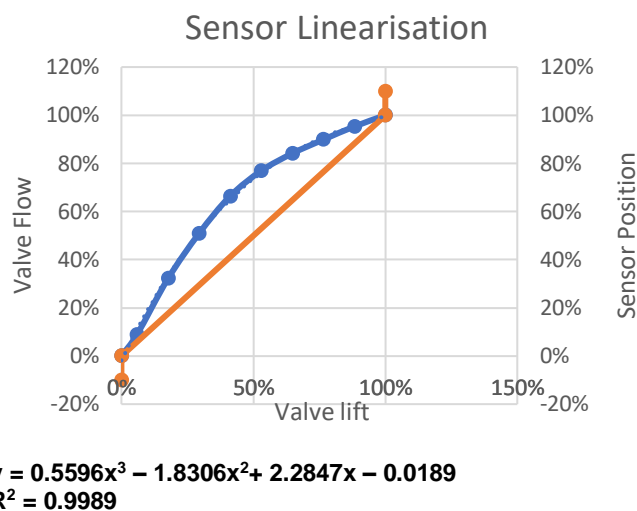
**PLEASE NOTE** When driving the electronic actuator, the current should be limit to **no more** than 20 amps at a period of 1 second and 5 amps for more than 5 seconds.

Follow your ECU manufacturers guidelines for tuning wastegate servo control. Ensure dead band is set to a reasonable level to not have the output active when not needed.



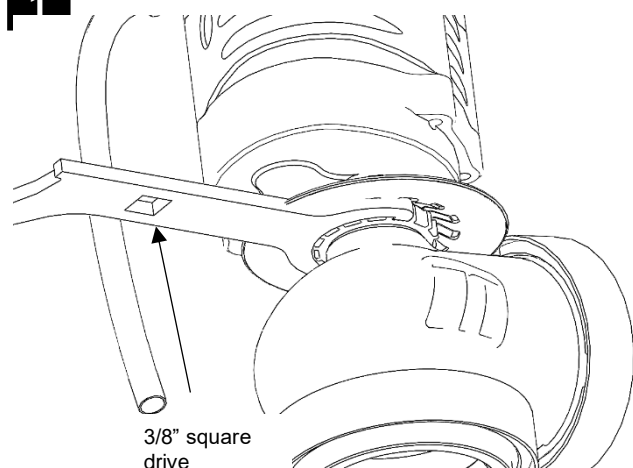
## 6 Sensor Linearisation

Due to the nature of the poppet valve design, the flow characteristics are nonlinear. In some cases, it may be advantageous to correlate the linear sensor output to match the flow of the valve. The following plot compares valve position with valve flow. A 3<sup>rd</sup> order polynomial is provided to relate sensor position to flow. Note due to the design of the wastegate, the valve is on a preloaded mechanism to minimise binding at the end stops, this results in the sensor reading past the home positions and for this reason the calibration sequence with **low** force is essential.



## ADVANCED FEATURES ON THE GEN V WASTEGATE

### 1 Re-Orientation of the Actuator



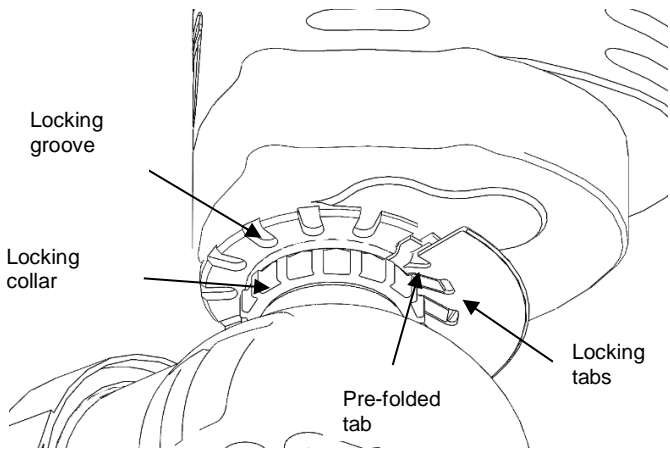
Turbosmart provide the Gen V eWastegate in a set orientation, in some applications it may be advantages to clock the actuator to allow clearance for fittings and wiring.

Locate the slave collar between the electronic actuator and the body underneath the heatshield, A tab on the heatshield will be folded down into a groove on this collar. Using a flat blade screwdriver, pry this tab out of the groove allowing the collar to be loosened.

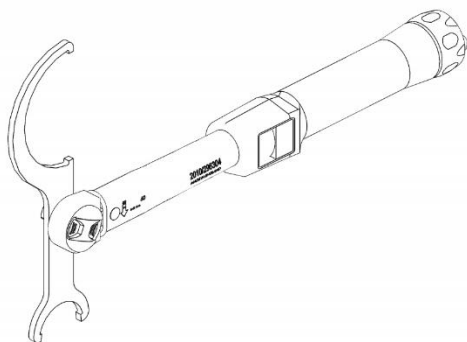
Using the small end of the supplied collar tool undo the slave collar 1 complete revolution (anti-clockwise as viewed from the bottom). One tab on the heatshield at the back of the wastegate is folded up to locate on the actuator, rotate the actuator to desired location ensuring the folded tab aligns with a groove in the bottom of the actuator. It is possible to fold down this tab and use another if the actuator cannot be positioned correctly on the original tab.

**CAUTION!**  
Turbosmart does **NOT** recommend altering to position of the actuator once the wastegate has been used.

It is recommended that the electronic actuator be clocked without a valve seat installed to prevent damage to the valve.



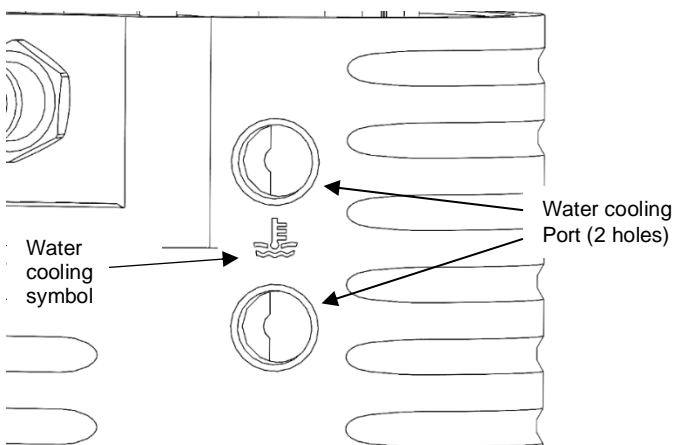
Tighten the collar using a torque wrench on the 3/8" square drive provided in the collar tool perpendicular to the length of the tool to **30N.m (22ft/lbs)**. Fold down a tab onto the slave collar to prevent the collar from coming loose during use.



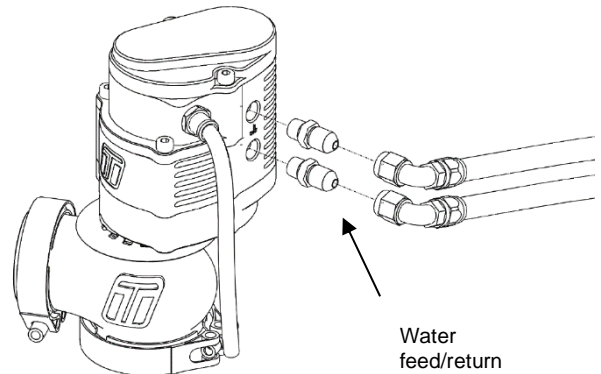
## 2 Water Cooling

Turbosmart's Gen V eWastegate is equipped with water cooling ports to keep the wastegate cool in the most extreme conditions and keep consistent actuator temperature.

Identify the water cooling ports on the bottom of the actuator adjacent to the water-cooling symbol engraved in the actuator.



Fit water-cooling port fittings Prior to mounting the wastegate, install 1/8" NPT fittings into the water ports, apply thread lubricant and screw in clockwise until finger tight, then tighten further 1-2 turns for seal. Choose feed and drain source for the water and connect to the wastegate. Turbosmart recommends -4SAE fittings and hose compatible with coolant. It is **not** important which way the water flows through housing.



**CAUTION!**  
Check for leak, ensure the water-cooling circuit is free from leaks.

---

## TROUBLESHOOTING

- Wastegate not actuating - Confirm continuity of wiring, Manually adjust valve position and feel for binding.
  - Poor wastegate actuation – Ensure wiring is correct, check for dirt and smooth operation by manual over-ride, ECU that is driving the valve may not be set up correctly.
  - Wraparound of signal on position sensor – Turbosmart Pre “time” every sensor, contact Turbosmart if this occurs
  - Wastegate seized – Remove cap and manually move valve feeling for resistance
  - Wastegate moves but sensor not reading – Check connections
  - Boost creeping at high rpm - Wastegate flow path is poor, wastegate is too small for the application
  - Failing the above, submit a technical request to [tech@turbosmart.com.au](mailto:tech@turbosmart.com.au) with information of your engine configuration and photos of installation
-